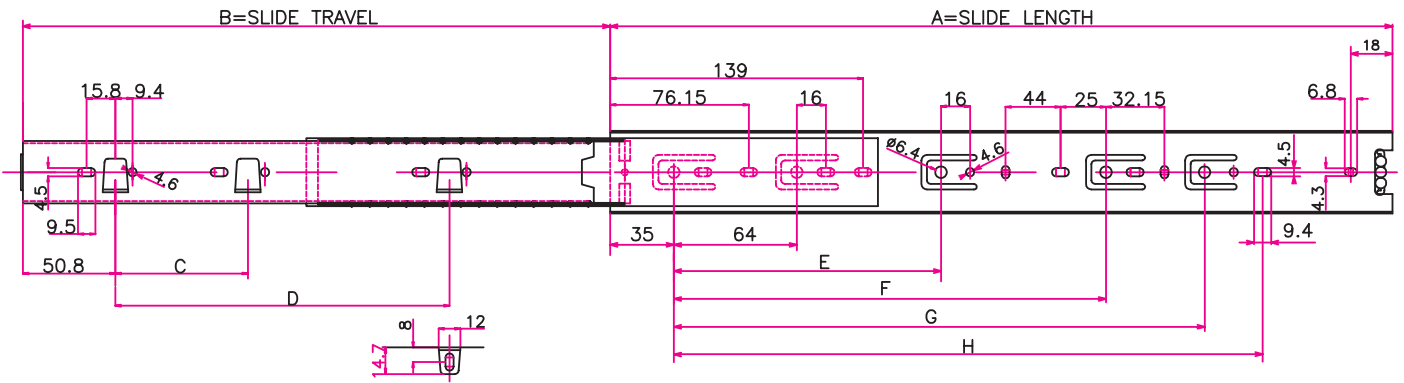
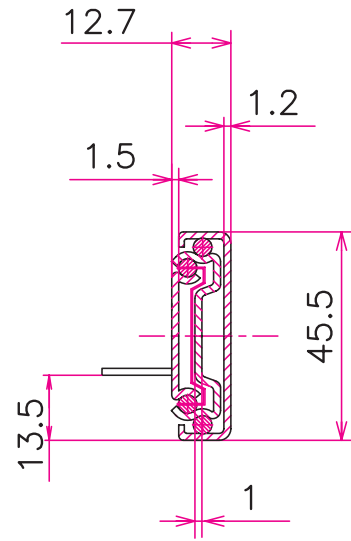


**Technical specifications**

- Full extension sliding runners
- Material: cold rolled steel
- Side mounting sliding runners
- Finishing: bright zinc-coated
- Travel end rubber with stop function
- Silent movement
- Drawer front disconnect
- Sliding runners with carbon steel ball bearings



CODE	A	B	C	D	E	F	G	H	Carton Kg.	Pair Kg.	Carton pair
49300	305	304	96	224	224	-	-	-	15.00	1.00	15
49350	355	355	128	256	224	-	-	273	16.50	1.10	15
49400	405	408	161	320	224	288	-	338	18.00	1.20	15
49450	455	456	193	352	224	352	-	382	21.00	1.40	15
49500	505	506	225	416	224	352	416	455	24.00	1.60	15
49550	555	558	256	480	224	352	416	466	27.00	1.80	15
49600	605	609	256	512	224	352	480	530	31.50	2.10	15
49650	650	662	256	576	224	352	544	632	34.50	2.30	15
49700	710	711	256	608	224	352	544	594	40.50	2.70	15